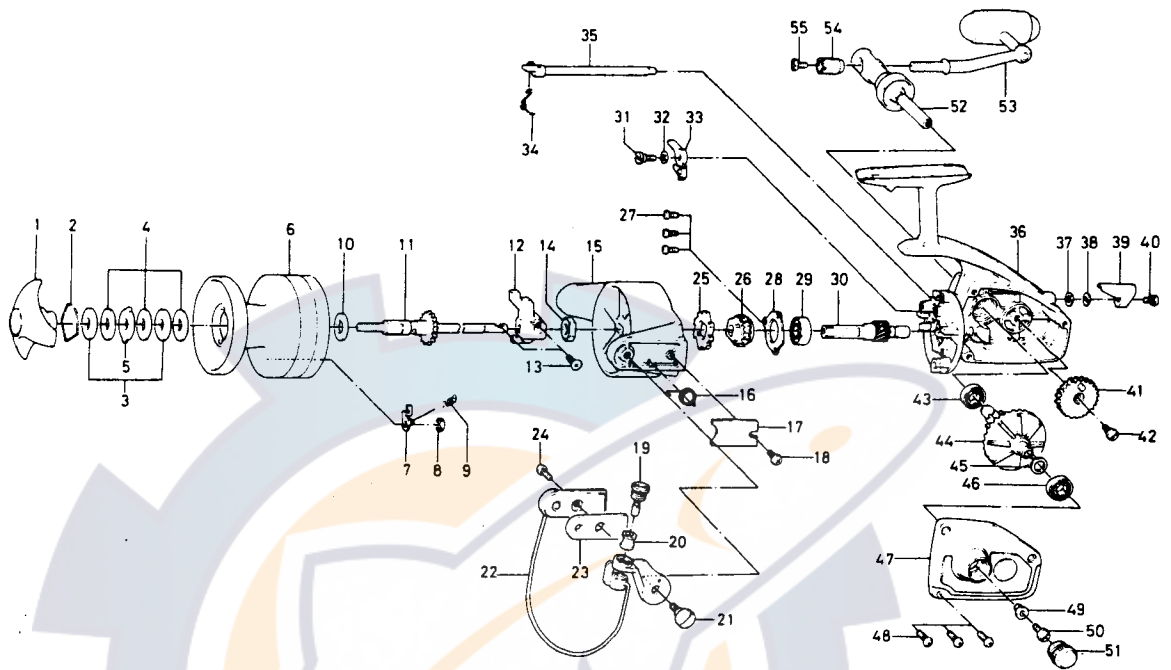


SPINNING REEL **GS-90**



KEY NO. 2 ~ 9  
6-733-1603

**SPOOL ASSEMBLY**

KEY NO. 52 ~ 55  
6-747-2302

**HANDLE ASSEMBLY**

Key No.	Parts No.	Parts Name	Key No.	Parts No.	Parts Name
1	6-003-1805	Drag knob	29	6-635-5001	Ball bearing
2	6-170-4101	Drag washer retainer	30	6-402-7011	Pinion gear
3	6-372-3711	Drag D washer	31	6-363-6501	Anti-reverse claw screw
4	6-372-3003	Disc washer	32	6-375-5200	Anti-reverse claw washer
5	6-372-3832	Drag A washer	33	6-770-1301	Anti-reverse claw
6	6-733-1704	Spool	34	6-144-0321	Anti-reverse cam spring
7	6-807-8201	Spool click claw	35	6-461-5103	Anti-reverse cam
8	6-320-1402	Spool click claw retainer	36	6-701-1501	Body
9	6-145-2101	Spool click claw spring	37	6-373-2700	Anti-reverse lever washer A
10	6-372-9601	Spool washer	38	6-372-9911	Anti-reverse lever washer B
11	6-711-2211	Main shaft	39	6-540-5801	Anti-reverse lever
12	6-480-7601	Oscillating slider	40	6-351-1801	Anti-reverse lever screw
13	6-351-9001	Oscillating slider screw	41	6-750-0411	Oscillating gear
14	6-340-8301	Rotor nut	42	6-361-9011	Oscillating gear screw
15	6-201-9203	Rotor	43	6-636-6011	Ball bearing
16	6-145-0001	Bail spring	44	6-413-5821	Drive gear
17	6-633-1311	Bail spring cover	45	6-371-2800	Drive gear washer
18	6-351-6101	Bail spring cover screw	46	6-636-6011	Ball bearing
19	6-780-9101	Bail screw	47	6-706-4904	Body cover
20	6-250-2131	Line roller	48	6-351-8801	Body cover screw
21	6-361-7011	Arm lever screw	49	6-501-8401	Handle screw holder
22	6-003-2002	Bail	50	6-363-8611	Handle screw
23	6-210-2901	Balancer	51	6-363-4702	Handle screw cap
24	6-351-6101	Bail holder screw	52	6-747-2502	Handle stand
25	6-280-6701	Ratchet	53	6-747-3511	Handle arm
26	6-270-8101	Click gear	54	6-342-3101	Handle arm ret. nut
27	6-351-6601	Ball bearing ret. washer screw	55	6-353-9101	Handle arm ret. nut screw
28	6-320-9501	Ball bearing ret. washer			